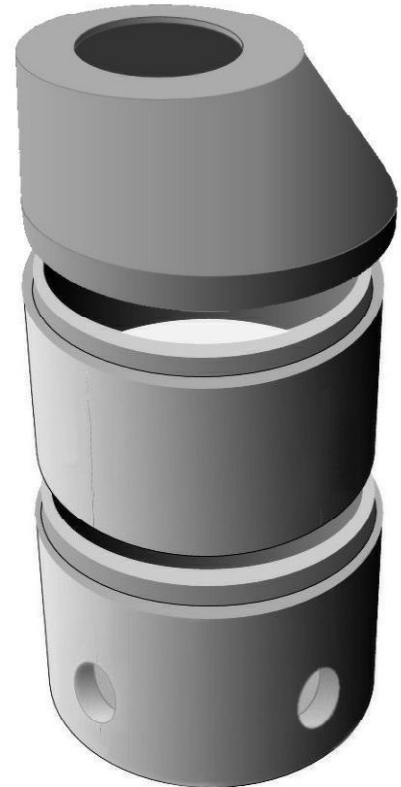
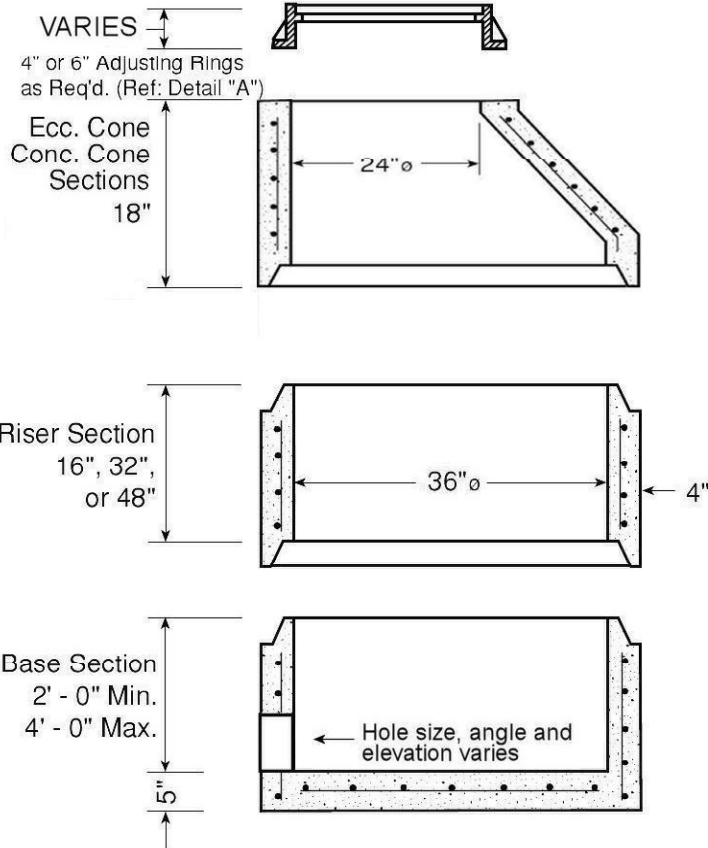


# Precast Storm Manhole Structures



**-No Scale-**  
All dimensions subject to allowable  
specification tolerances.

## Materials

CONCRETE: 4,500 PSI  
(State of IL Specification)

WALL REINFORCING:  
per ASTM C-478 Standard.

BOTTOM SLAB REINFORCING  
#4 @ 12" O.C.E.W.

Unit Weights	
Wt./ Vert. Ft.	528 lbs.
Base Bottom	535 lbs.
Wall Thickness	4 in.

**Concentric Cone also available.**

## WALLS TO MEET/EXCEED ASTM C-478

THE MINIMUM STRENGTH OF THE CONCRETE IN THE BASE AND RISER SECTIONS SHALL BE 4000 P.S.I. AFTER 28 DAYS. THE MINIMUM WALL THICKNESS SHALL BE ONE-TWELTH OF THE INTERNAL DIAMETER OF THE RISER. THE CIRCUMFERENTIAL REINFORCEMENT IN BASE SECTIONS AND RISERS MAY CONSIST OF EITHER ONE OR TWO LINES OF STEEL. THE TOTAL AREA OF STEEL PER VERTICAL FOOT SHALL BE NOT LESS THAN .0025 TIMES THE INSIDE DIAMETER IN INCHES. BASE SLABS OR FLOORS SHALL BE REINFORCED WITH A LAYER OF STEEL WITH A MINIMUM AREA OF 0.12 in. SQUARED / LINEAR FOOT IN BOTH DIRECTIONS.

**VOLLMAR**  
CLAY PRODUCTS COMPANY  
1-773-774-1234

TITLE

**36" Diameter Manhole with Eccentric Cone**